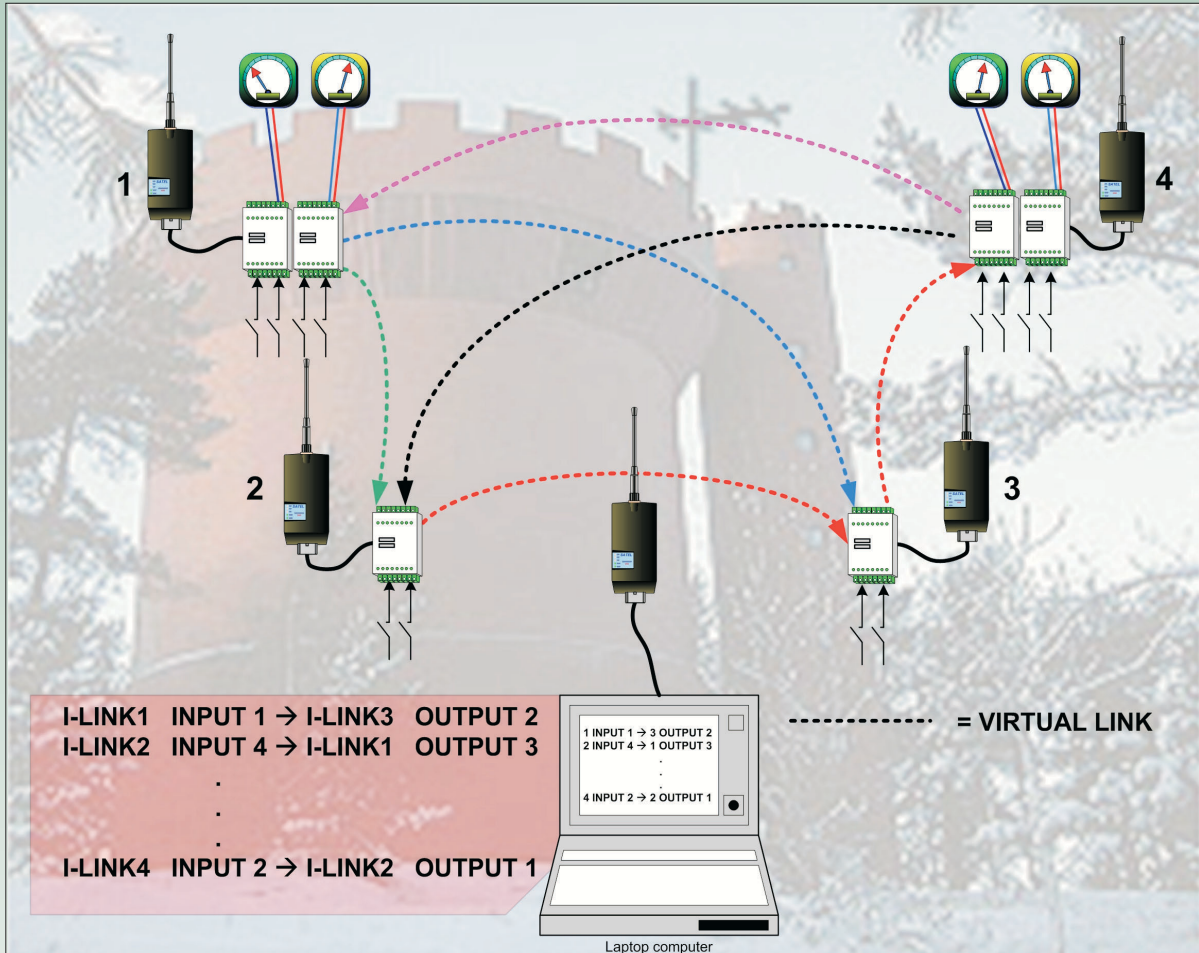


# SATEL I-LINK PC Pro

System software for SATEL I-LINK series I/O converters



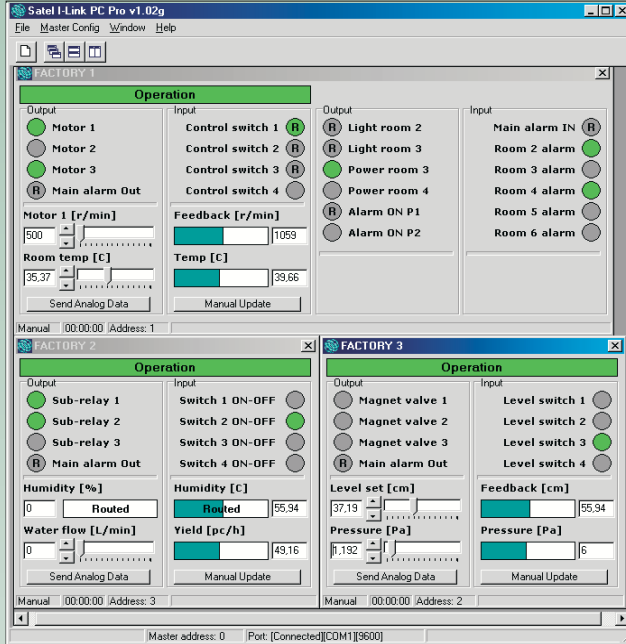
## From Radio Modems to Applications

**SATEL I-LINK PC Pro allows remote operation of systems that are connected to SATEL I-LINK 100 I/O-ports. In Point-to-Multipoint operating mode, you can set switch positions, change parameter values and monitor the radio link, among other things.**

**Routing of the connections makes the system work as you like. Any of the I-LINK 100 I/O-converter substation Inputs can be routed automatically to any Output of the network. You can even route an Input to several Outputs simultaneously.**

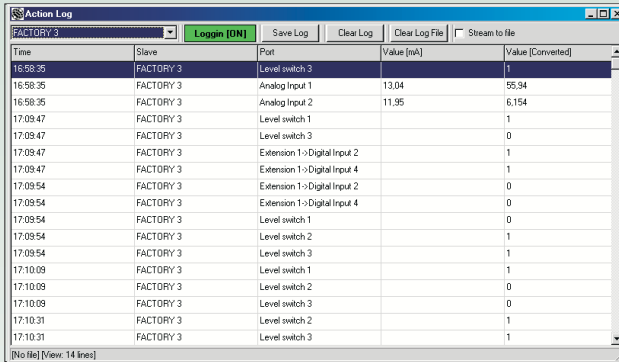
**Satel Oy** is a Finnish electronics and telecommunications company that specialises in wireless data communications. It designs, manufactures and markets radio modems for data and alarm transfer systems. The main user groups include industrial companies, public organisations and private persons. Today Satel is one of Europe's leading manufacturers of narrow-band radio modems.

### User interface



With the functions of the I-LINK PC Pro you can operate systems that are connected to the I-LINK 100 I/O-ports. The visual appearance of the user interface shows all functions at a quick glance. The operating buttons and value fields can be named according to their proper functions. The analogue values can be converted to show the real measured values including the customised low and high levels. These features are helpful if persons other than the operator are monitoring the values and functions.

### Action Log



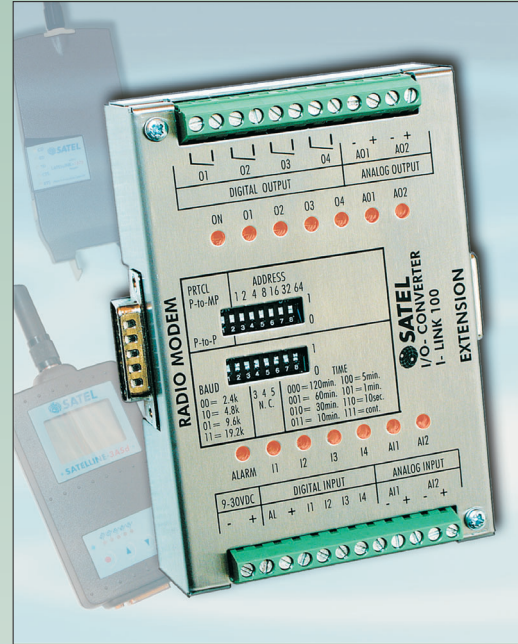
An Action Log window helps the user during the operation. It shows all events related to a change. Graphical presentations measured values, set point values, etc. can be easily created based on the data stored in the log file.

### Manufacturer:



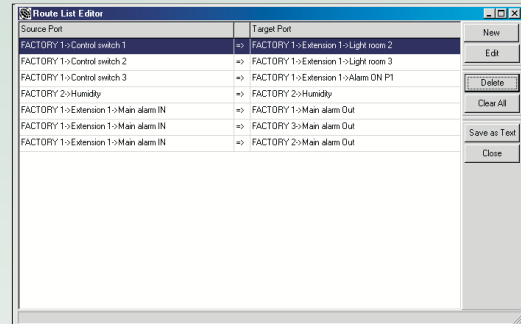
Satel Oy, Meriniitynkatu 17, P.O.Box 142, 24101 Salo, Finland  
Tel. +358 2 777 7800, fax +358 2 777 7810, E-mail info@satel.fi  
www.satel.fi

### I-link 100 I/O- converter



This cost-effective Point-to-Multipoint program can be used to control several SATEL I-LINK 100 I/O-converter and extensions connected to SATELLINE Radio Modems. You can set switch positions, get the reading of a measuring gauge (analogue or digital) from the point of surveillance to the control station, and vice versa.

### Route List Editor



Using the Route List Editor of the I-LINK 100 system software, the Digital and Analogue Inputs can be routed to any Output of the network. In case of a Multialarm, one Input can even be routed to all sub-station Outputs. For security and to save the workspace, all settings, changes and alarms can be saved to the PC hard disc.

### Distributor:

